

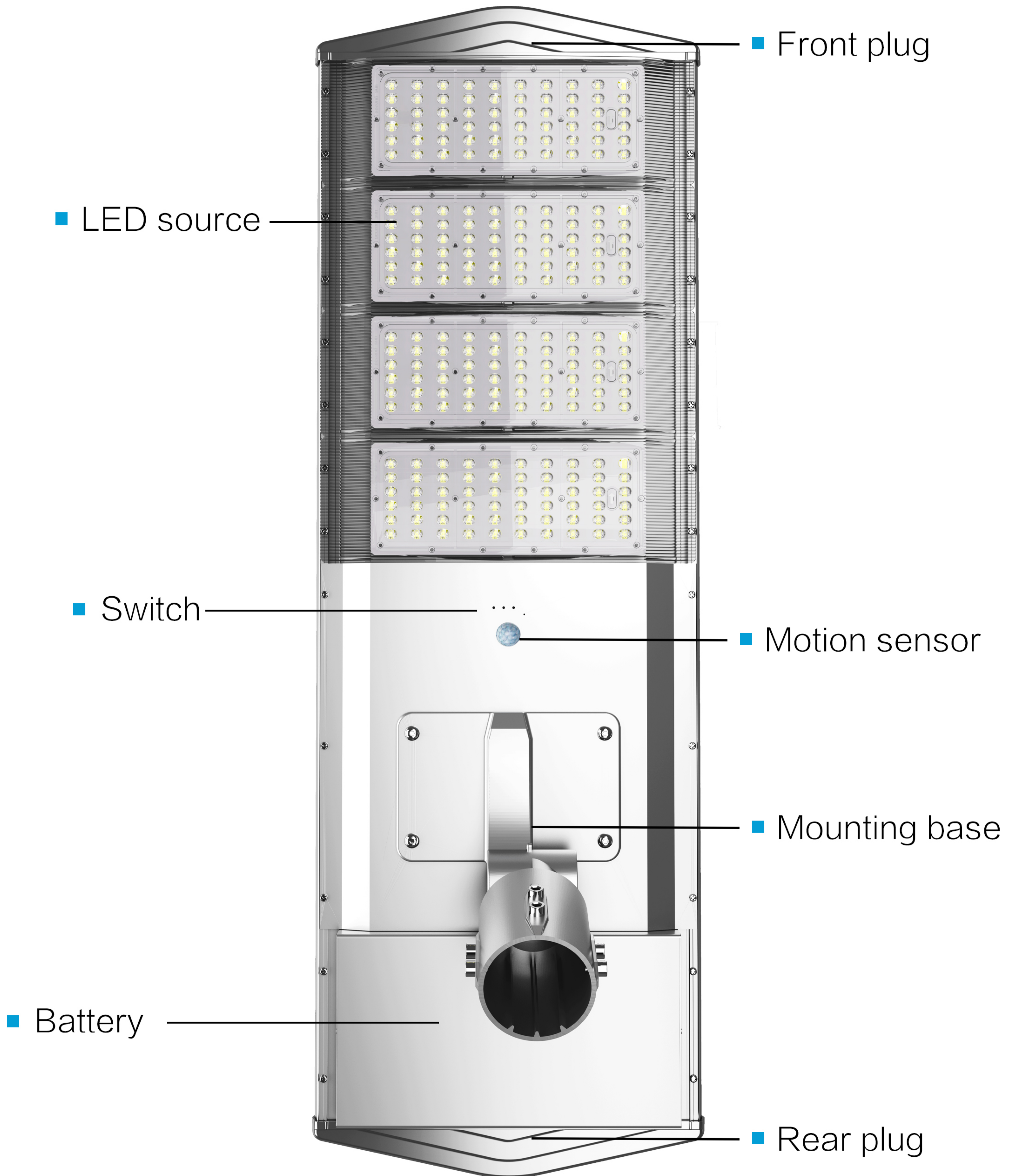


MY SERIES

Specification

LUXMAN

Product Details



Product Feature



Large lens area, large luminous angle and large irradiation area;
3030 bright lamp beads



Special LED driving technology is adopted
Realize the coexistence



External independent battery box;
Aviation grade aluminum profile material;
Whole body unique bright white oxidation treatment



The front and back plug design incorporates the principles of wind mechanics.
Greatly reduces the wind resistance of the lamp body

PRODUCT INSTRUCTIONS



13 key remote control

Mode setting:

The mode setting are: time control mode, sensing mode and mixed mode

Duration setting:

Set the duration of lighting, including 12 hours, 9 hours and 6 hours respectively

Brightness setting:

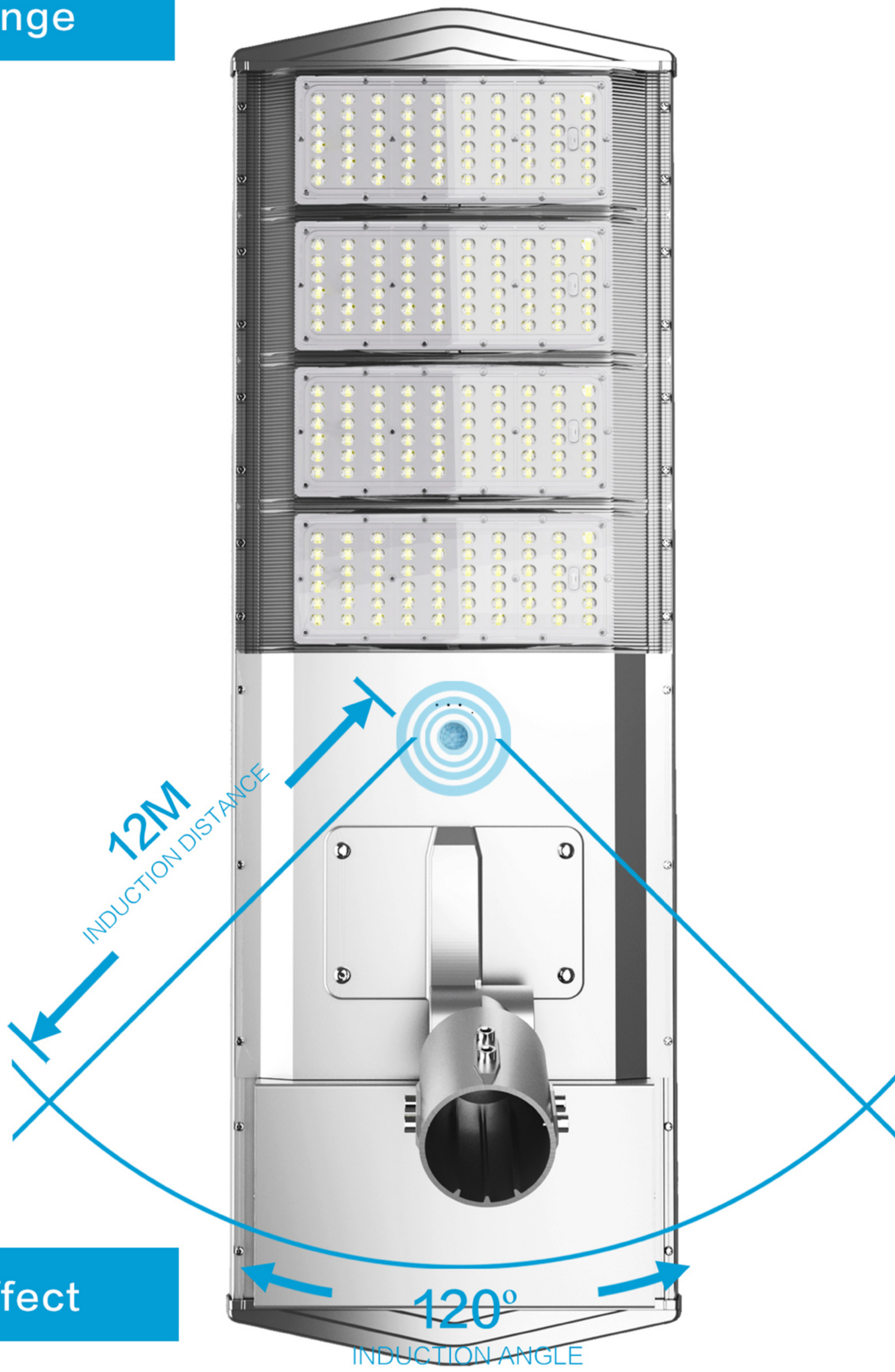
Set the brightness of the light source, with 100% brightness, 70% brightness and 50% brightness respectively

PRODUCT ADVANTAGES

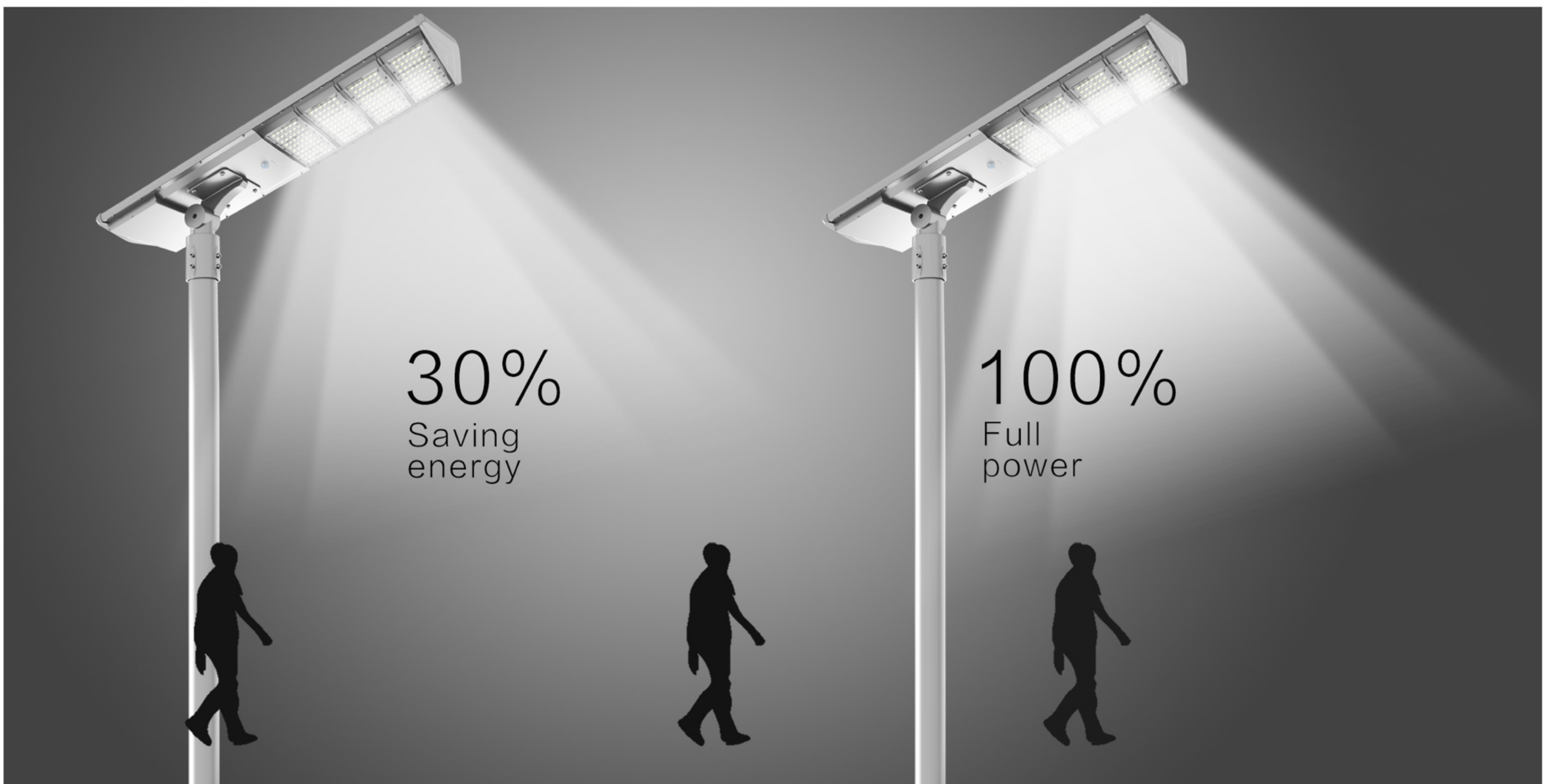
- Easily set the working mode of solar street light;
- 10–12m infrared sensing range of remote control, suitable for most installation height
- Multiple working modes to deal with various complex environments
- According to the demand, the running time can be reasonably controlled, and it can last for a long time in the rainy days.

T—— (Time control mode); I——(Sensor control mode); TI—— (Mixed control mode)

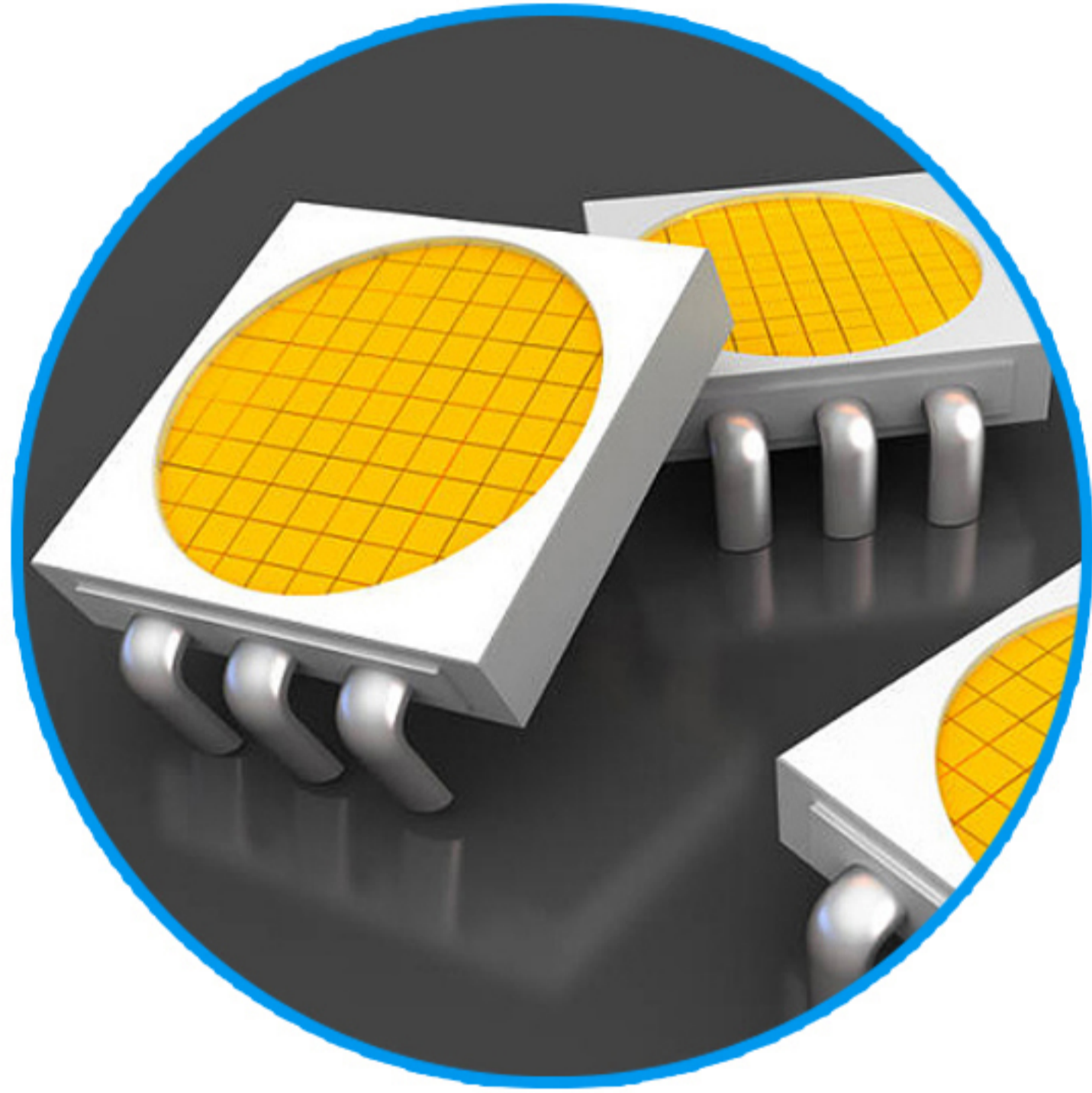
Induction range



Induction effect

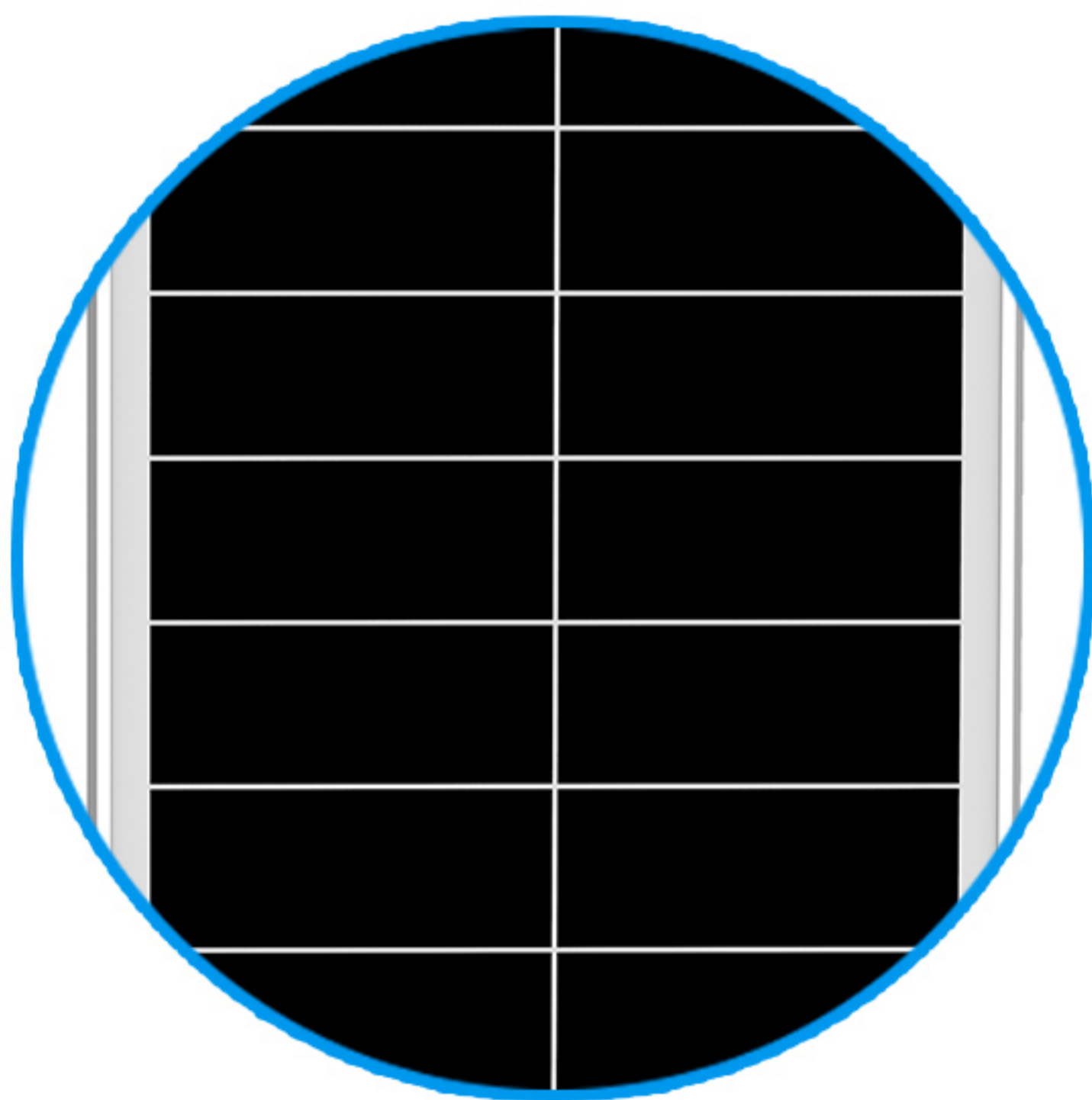


INTRODUCTION TO MATERIALS USEF



LED ENERGY-SAVING LIGHT SOURCE

Adopt imported high light bulb beads Ultra high photosynthetic efficiency Persistent lighting



THE SOLAR PANELS

Efficiently imported silicon high efficiency Special surface treatment

INTRODUCTION TO MATERIALS USEF



Integrated to all in one, easy installation and maintenance.



Multiple controlling mode, easy operation.



Imported lamp beads, long lifespan



Customizing battery box, waterproof, high and low temperature resistance

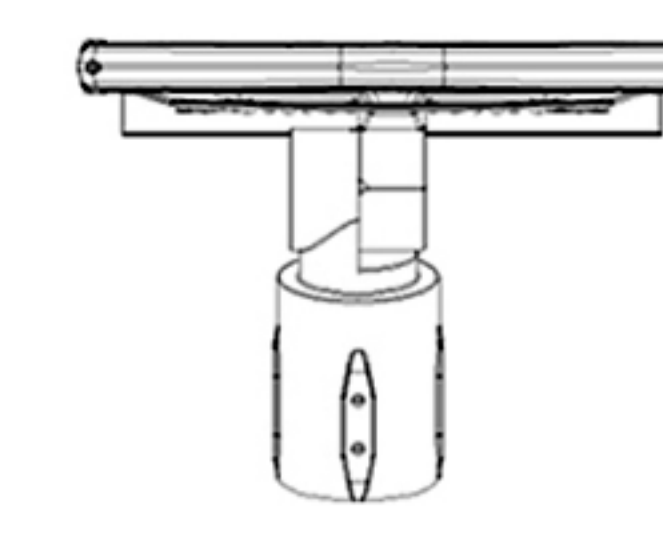
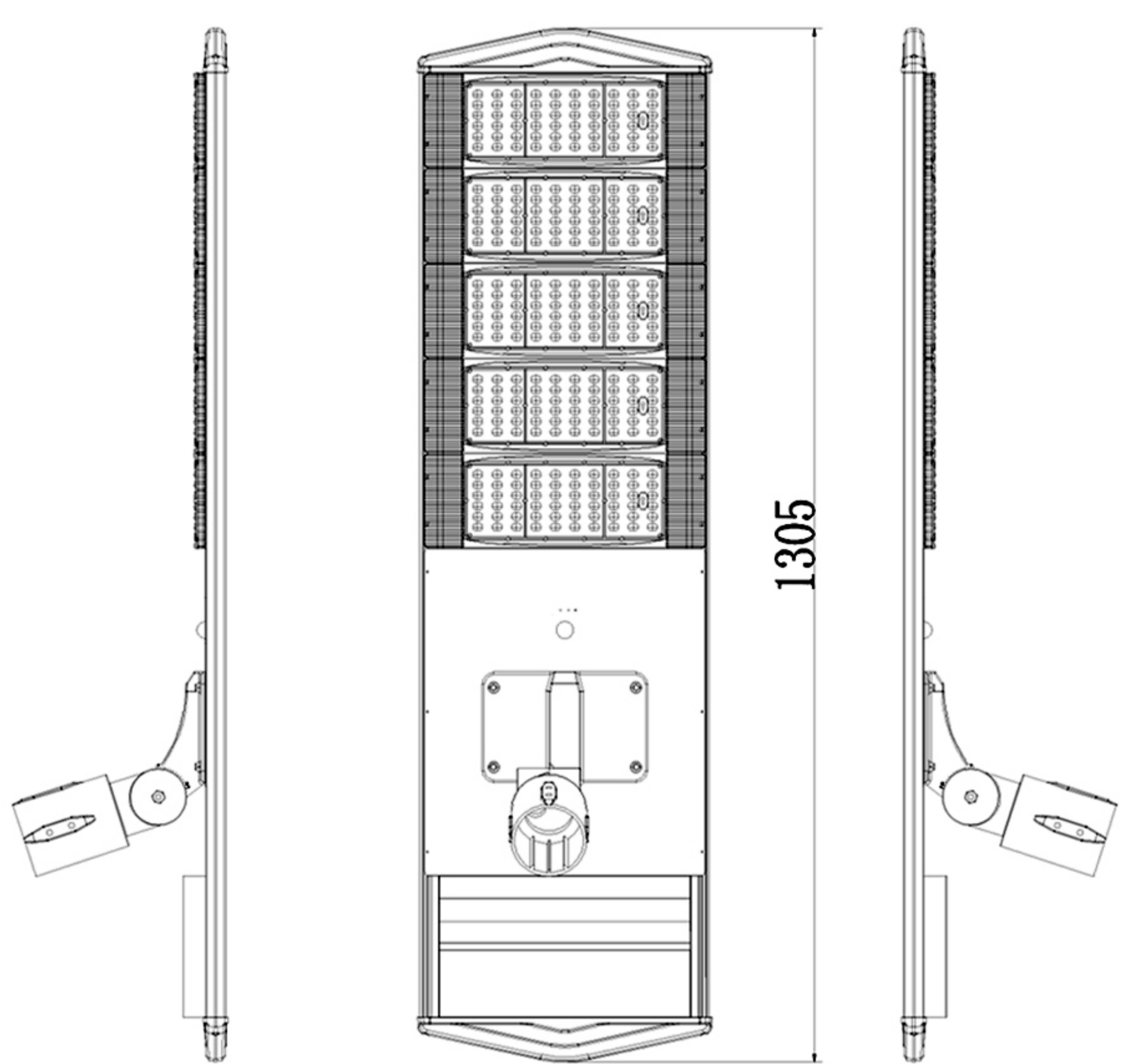
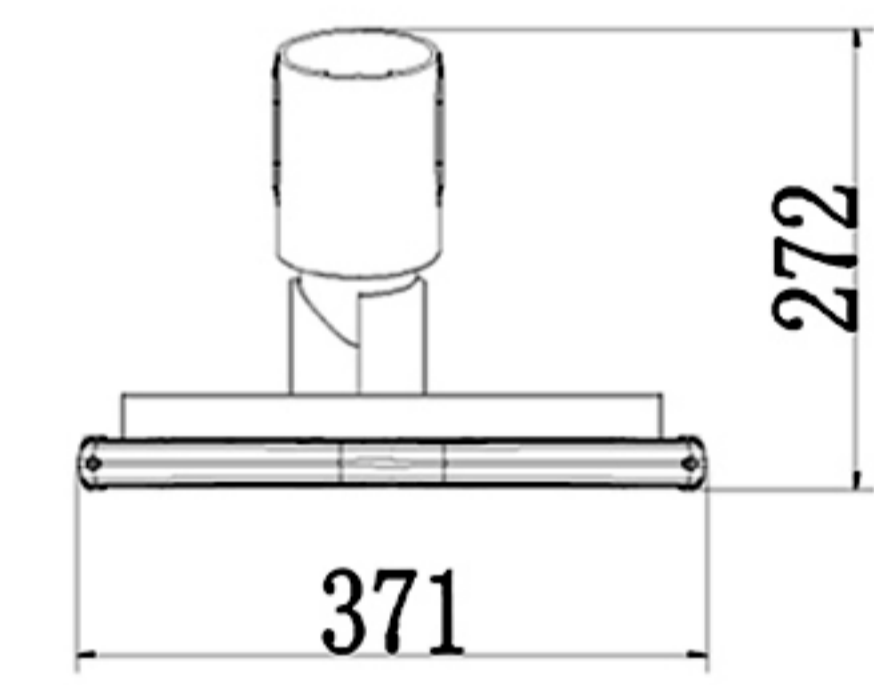
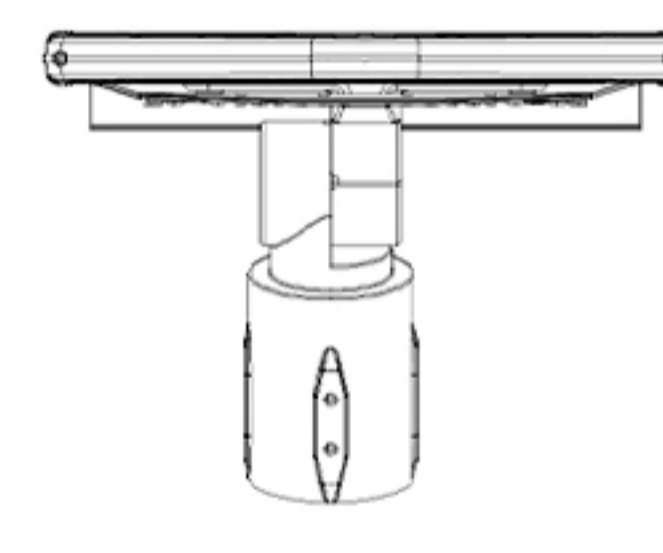
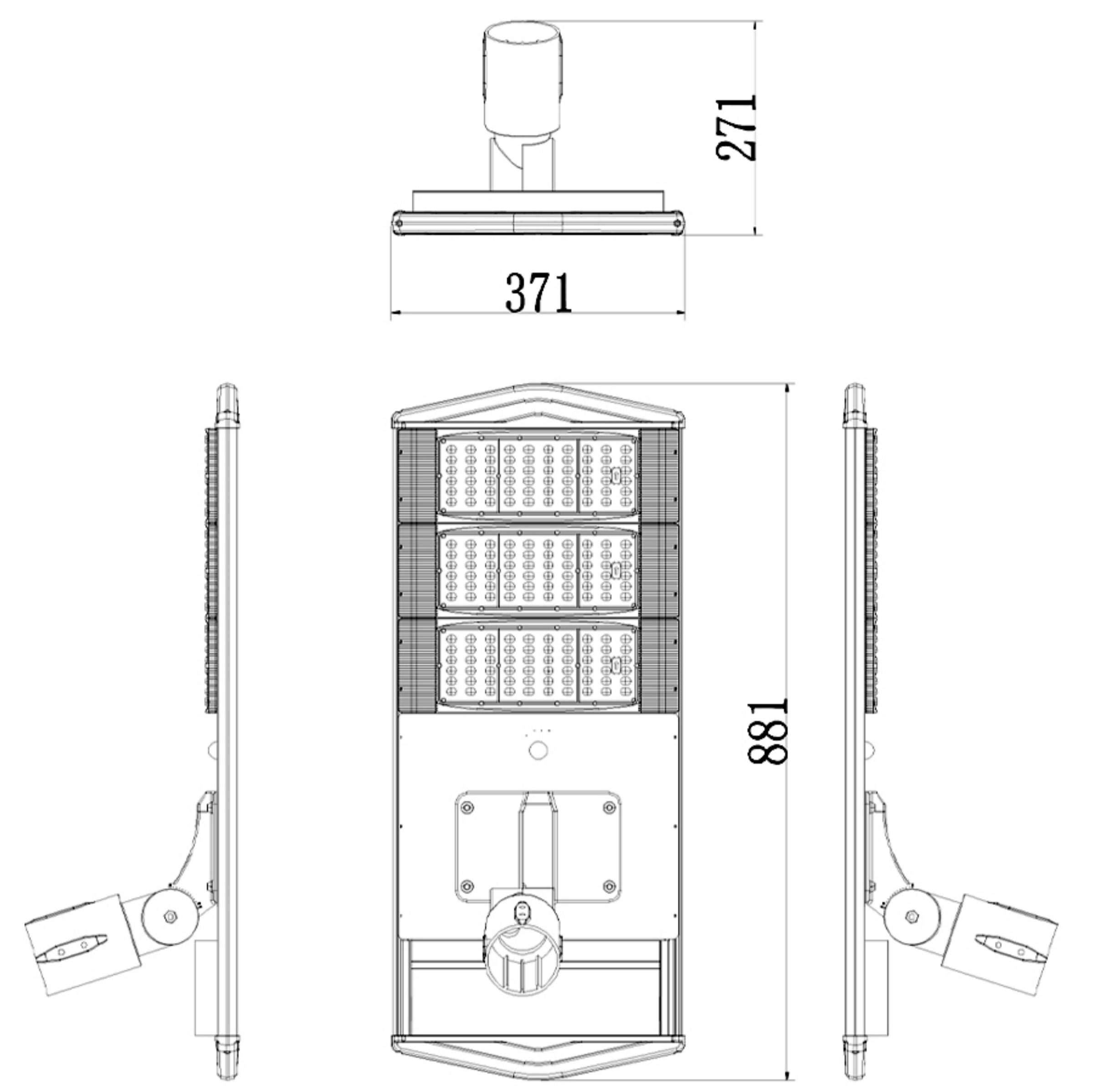
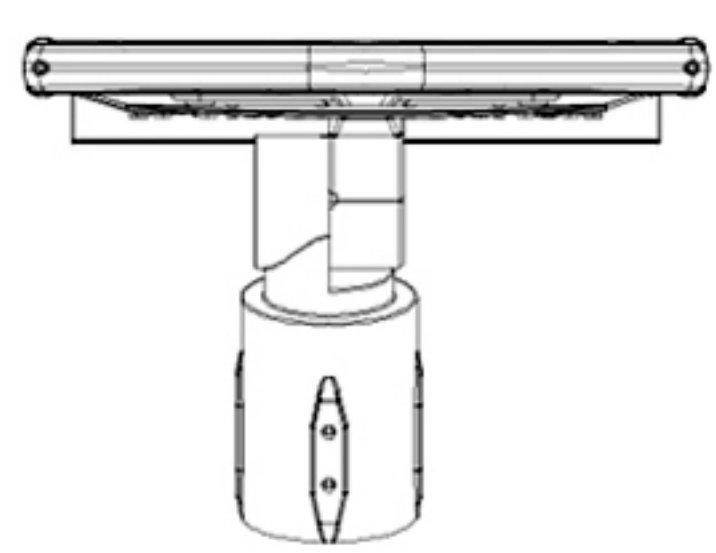
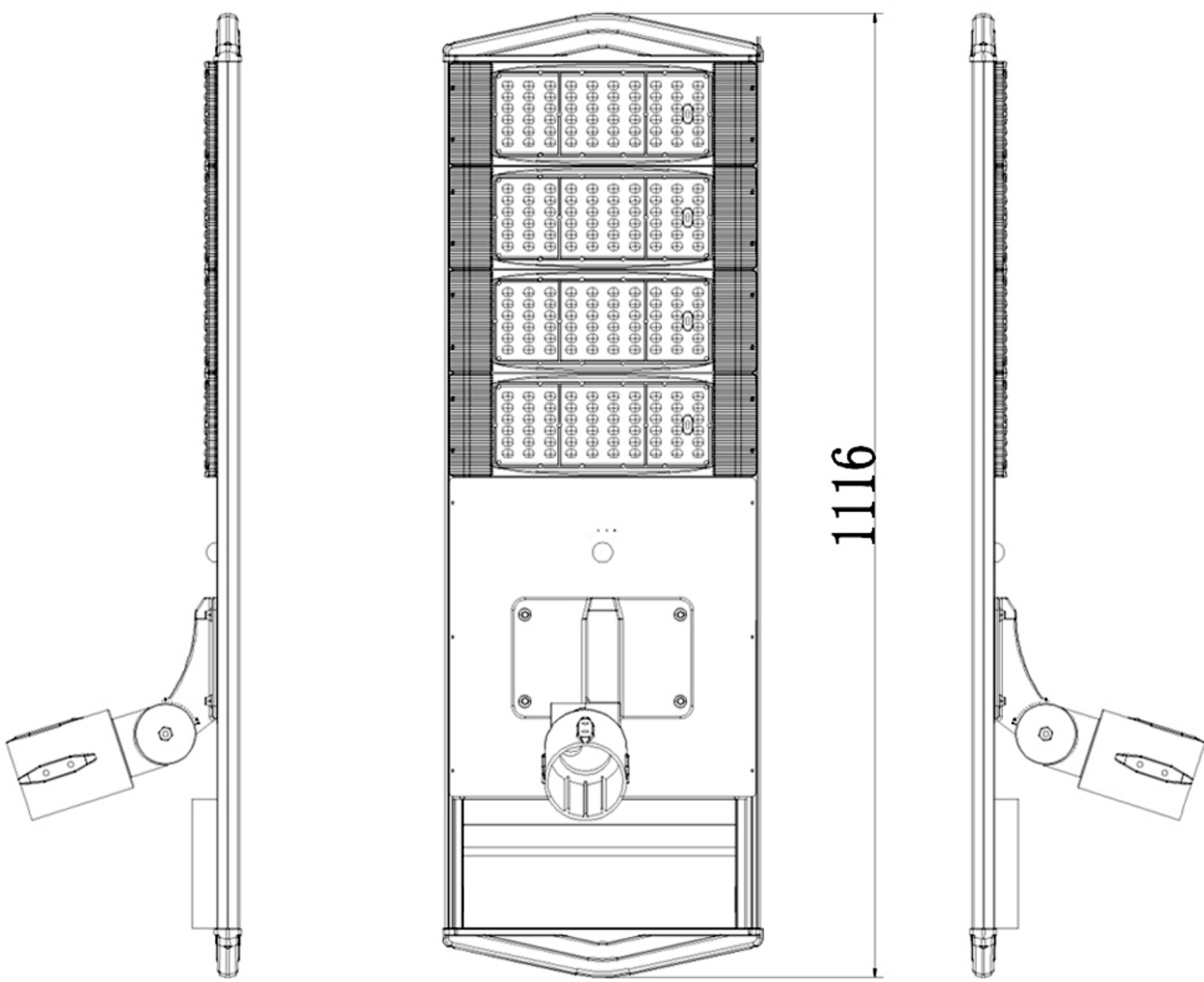
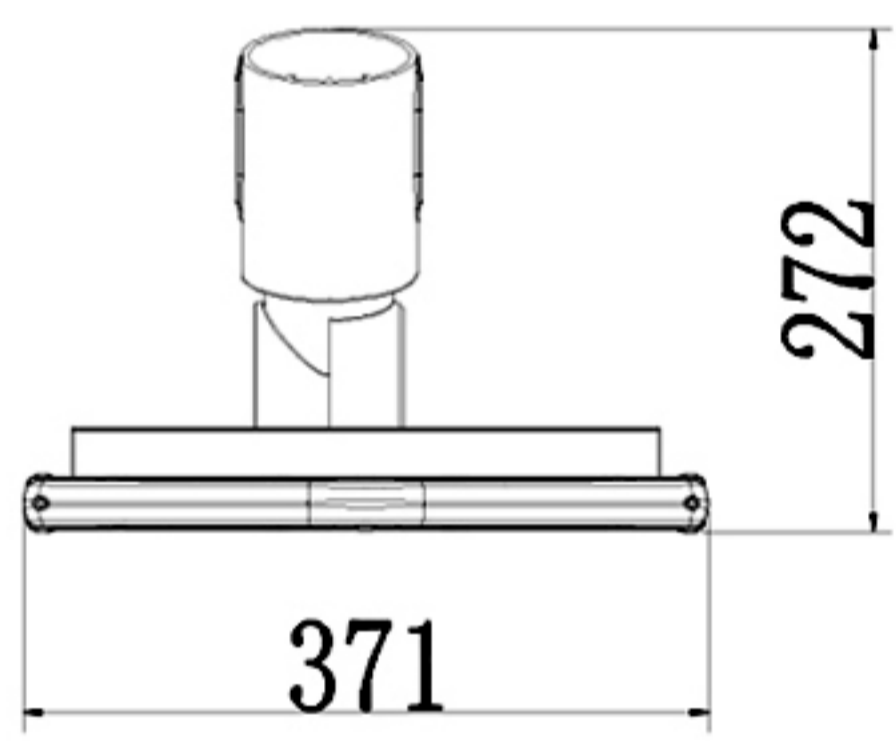
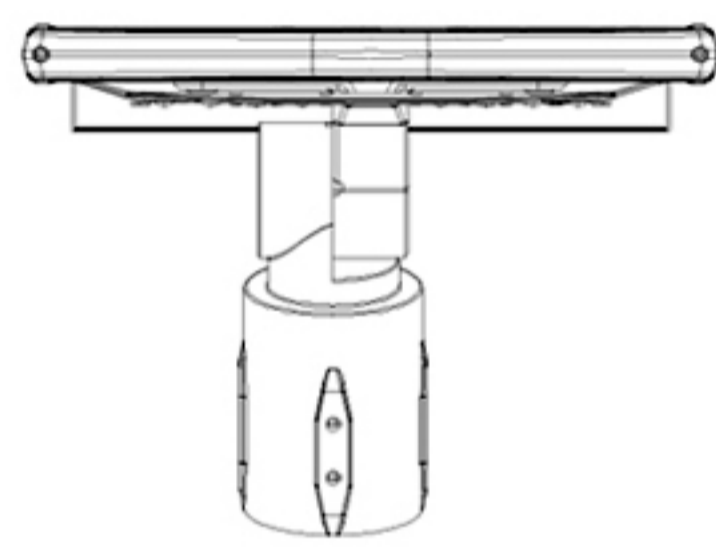
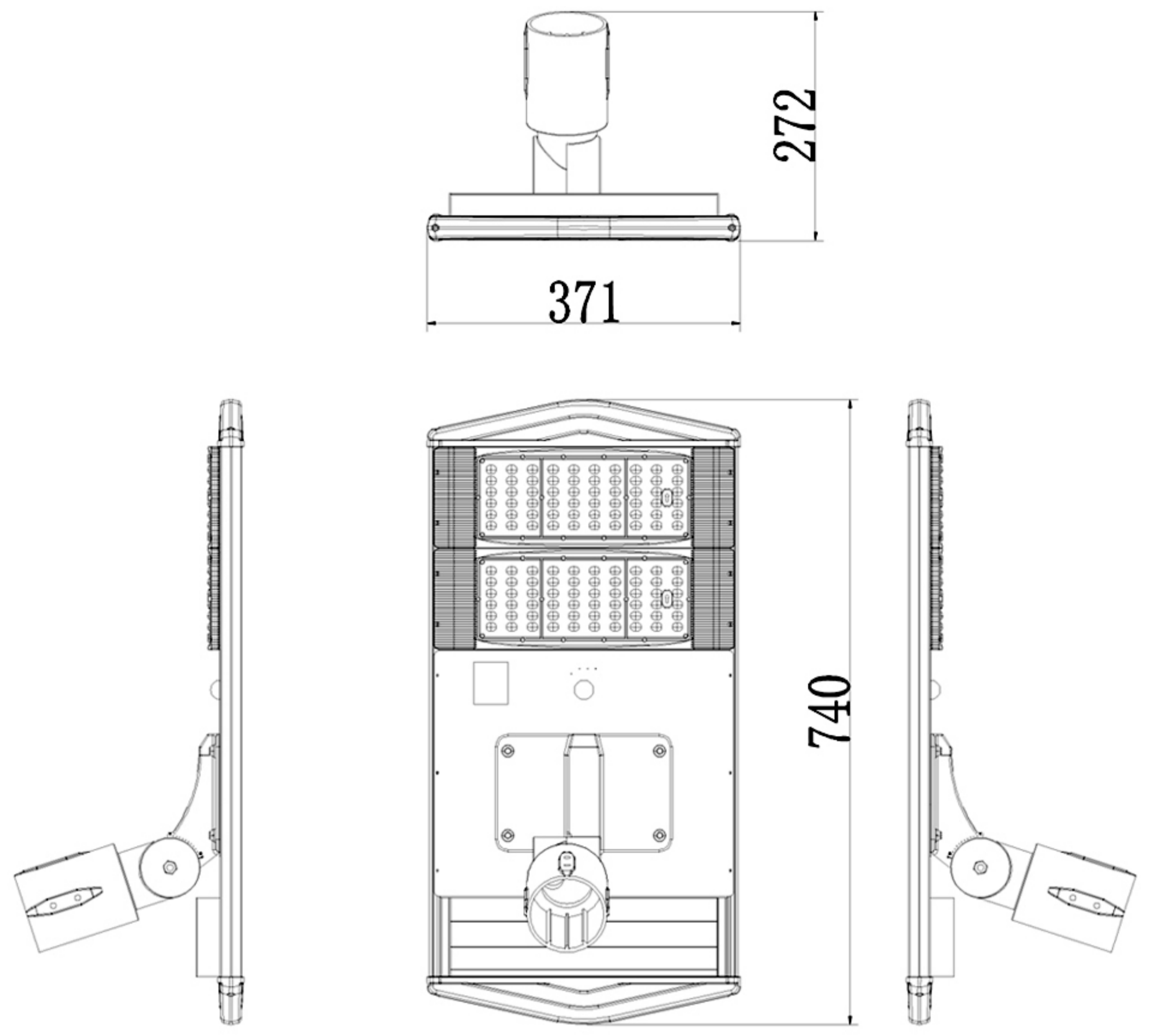


Imported solar panels, ultra high conversion rate



Multiple sensor modes, intelligent controlling lighting mode.

Product Size

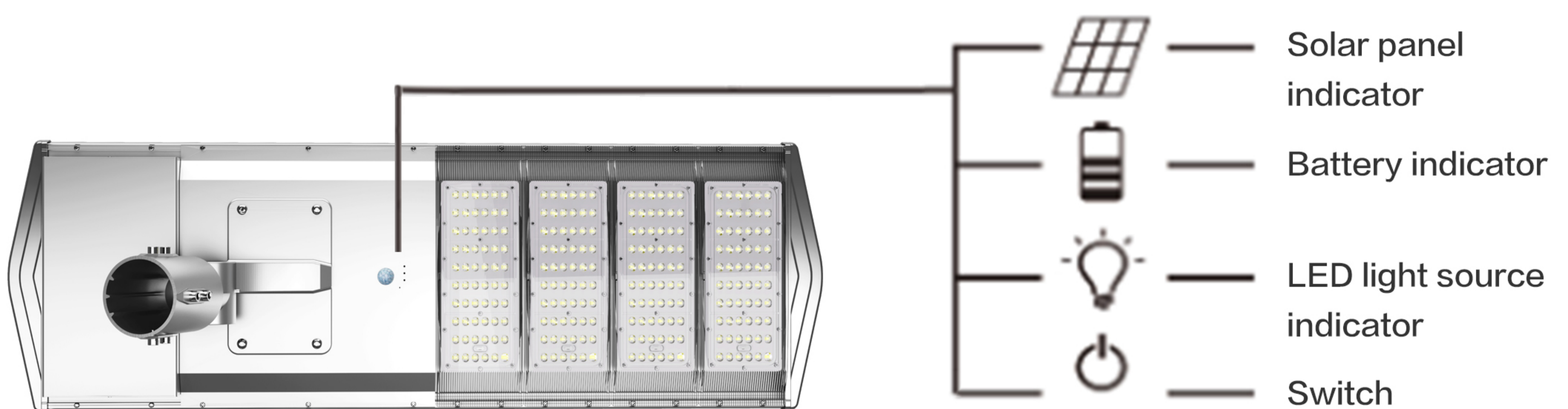


Product parameters

Model	MY01	MY02	MY03	MY04
LED Power	40W	60W	80W	100W
LED Type	Bridgelux from USA with high brightness (3030)			
LED QTY	120PCS	180PCS	240PCS	300PCS
CCT (K)	6000-7000K (OEM)			
Poly PV module	18V/51W	18V/64W	18V/85W	18V/107W
LiFePO4 battery	12.8V/201WH	12.8V/302WH	12.8V/403WH	12.8V/502WH
Lumen	4000LM	6000LM	8000LM	10000LM
Charge time	6-8 hours(with enough strong shine by sun)			
Discharge time	12 hours per light and 5-7 days rainy day			
Certificate	CE, ROHS, IP66			
Quality Control	ISO9001			
Warranty period	3 years			
Distance between each lamp	20-30M			
Mounting height	6-7M	7-8M	8-9M	9-10M
Lamp Size	740*371*57mm	881*371*57mm	1116*371*57mm	1305*371*57mm
N.W	Lamp body : 5.7kg Base : 1.65kg	Lamp body : 7.1kg Base : 1.65kg	Lamp body : 9kg Base : 1.65kg	Lamp body : 10.8kg Base : 1.65kg
Packing Carton Size	Lamp body : 795*437*120mm Base : 260*240*180mm	Lamp body : 930*437*120mm Base : 260*240*180mm	Lamp body : 1168*437*120mm Base : 260*240*180mm	Lamp body : 1355*437*120mm Base : 260*240*180mm
G.W	Lamp body : 6.5kg Base : 2kg	Lamp body : 8.2kg Base : 2kg	Lamp body : 10.3kg Base : 2kg	Lamp body : 12kg Base : 2kg

Installation Procedure

1. Choose the best position for lighting.
2. Open the package and check if the accessories are complete.
3. Use the ejector pin to open the switch before installation.

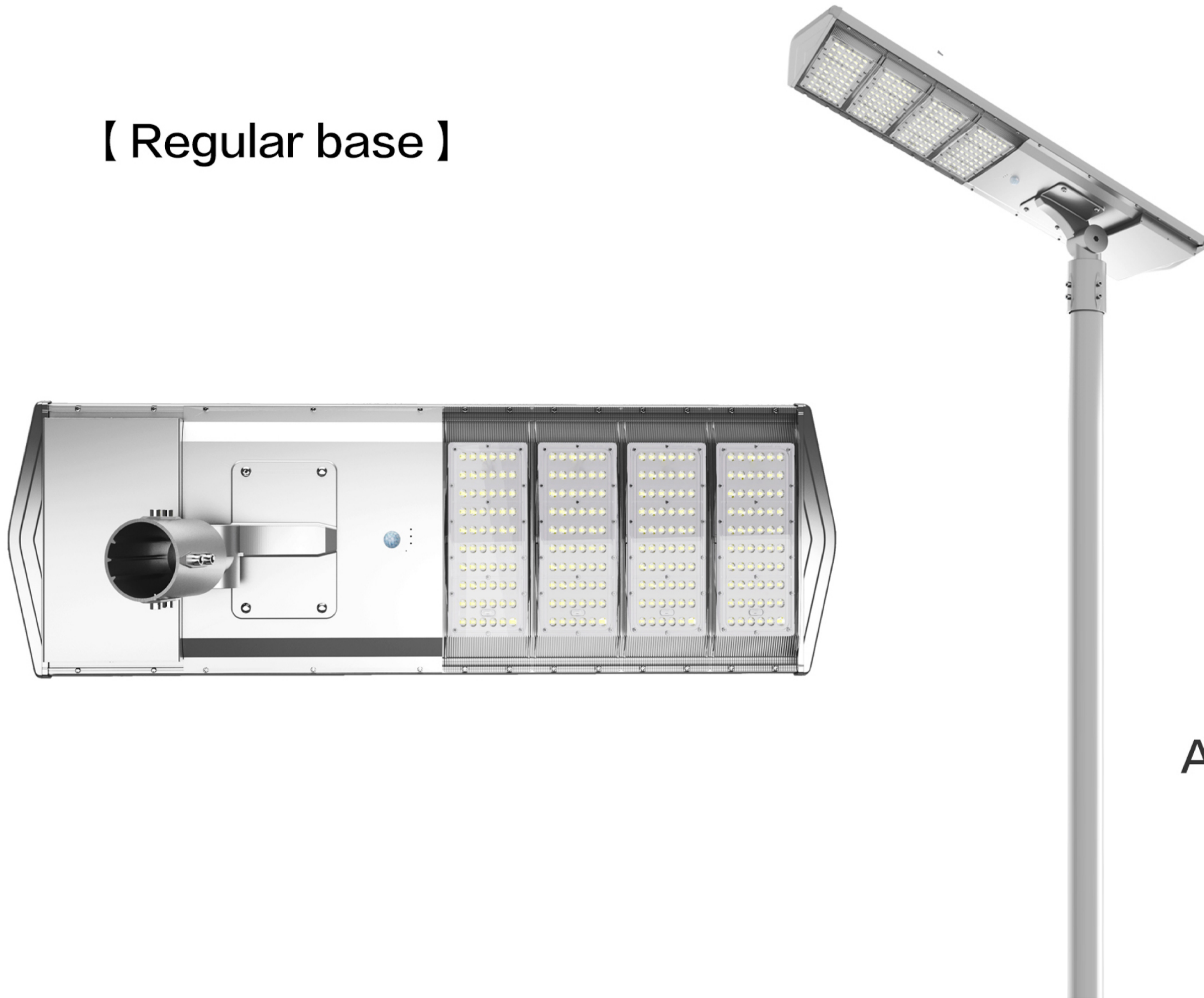


(Please note: There are three indicators on the panel)

Blue is the charging indicator:	Green is the battery indicator:	Red is the LED light source work indicator:
<p>Slow flashing means charging, full light means fully charged, and turning off light means no charging.</p>	<p>Full light indicates that the battery is normal and can work normally; slow flashing indicates low battery and cannot work normally, need to charge right now.</p>	<p>When the LED light source is working, the red indicator light is fully illuminated. When the LED light source is not working, the red indicator light is off.</p>

4. Firstly, fix the base to the lifting device with screws, then put the solar panel of the lamp body up, insert the lamp into the pole with the base facing down, and tighten the screws. (As figure 1)

【 Regular base 】



As figure 1

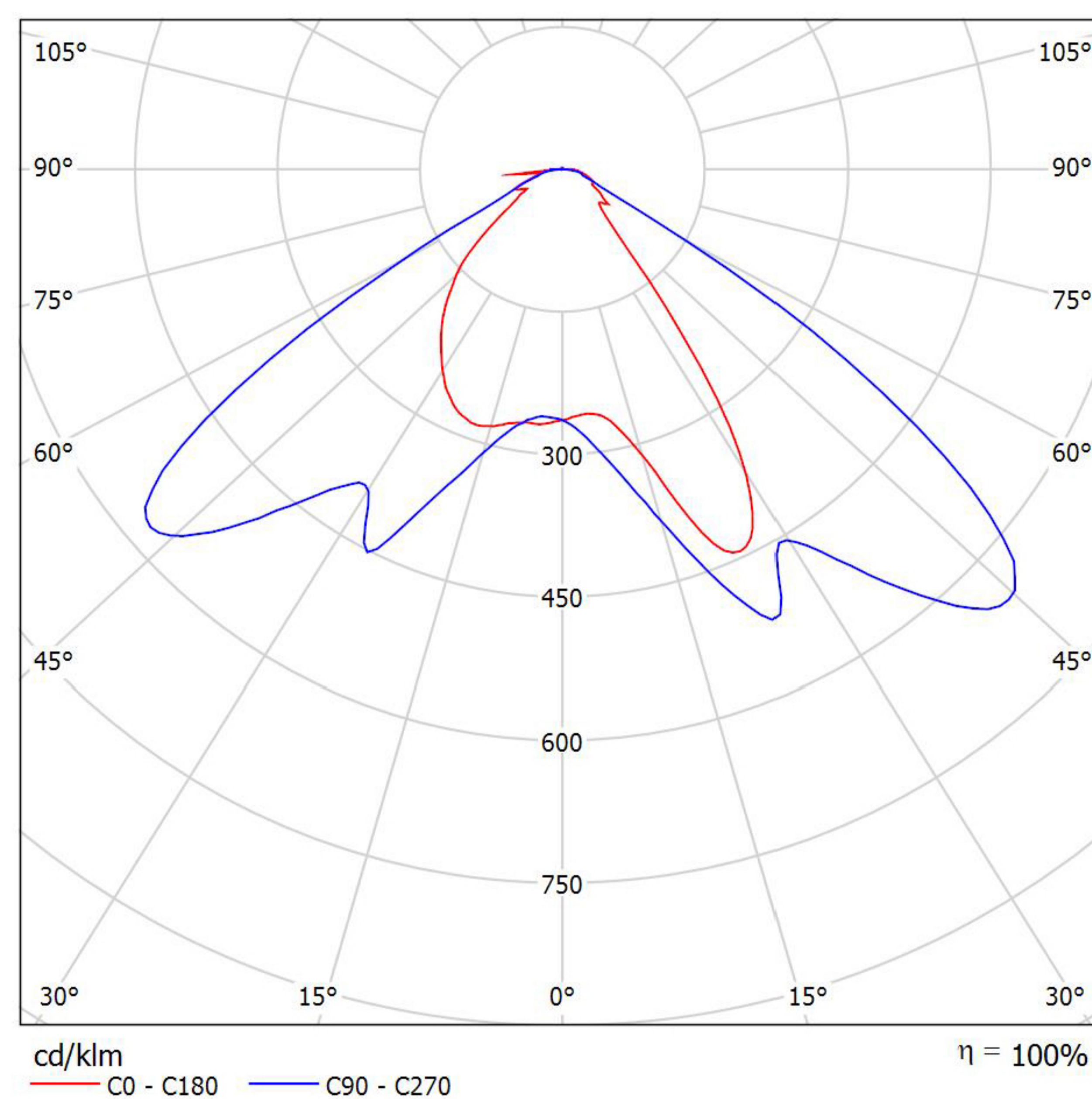
Note

- During installation, one or two people shall hold the lamp body, and another person shall tighten the nut, so as to avoid misplacement of the nut due to force during the tightening process, or would result in nut sticking and subsequent undisassembly.
- It is recommended to install on a sunny day, because it can't be charged quickly after installation in rainy days, and it will be discharged at night, which will affect the using effect.
- If the lamp does not work after the package is opened, it is usually because the battery power is insufficient. Charge it for 2 days before installation.

SPECTRA

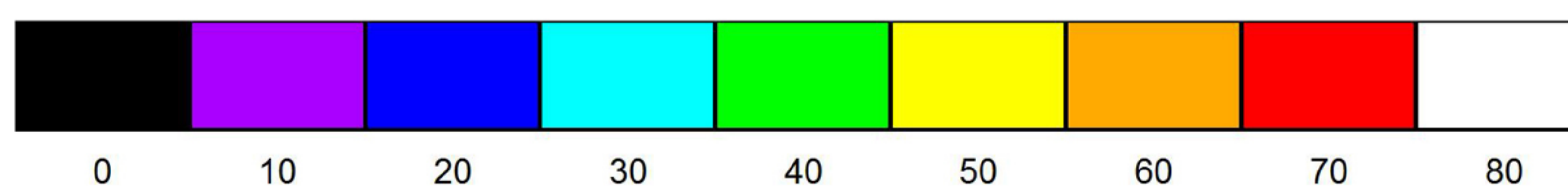
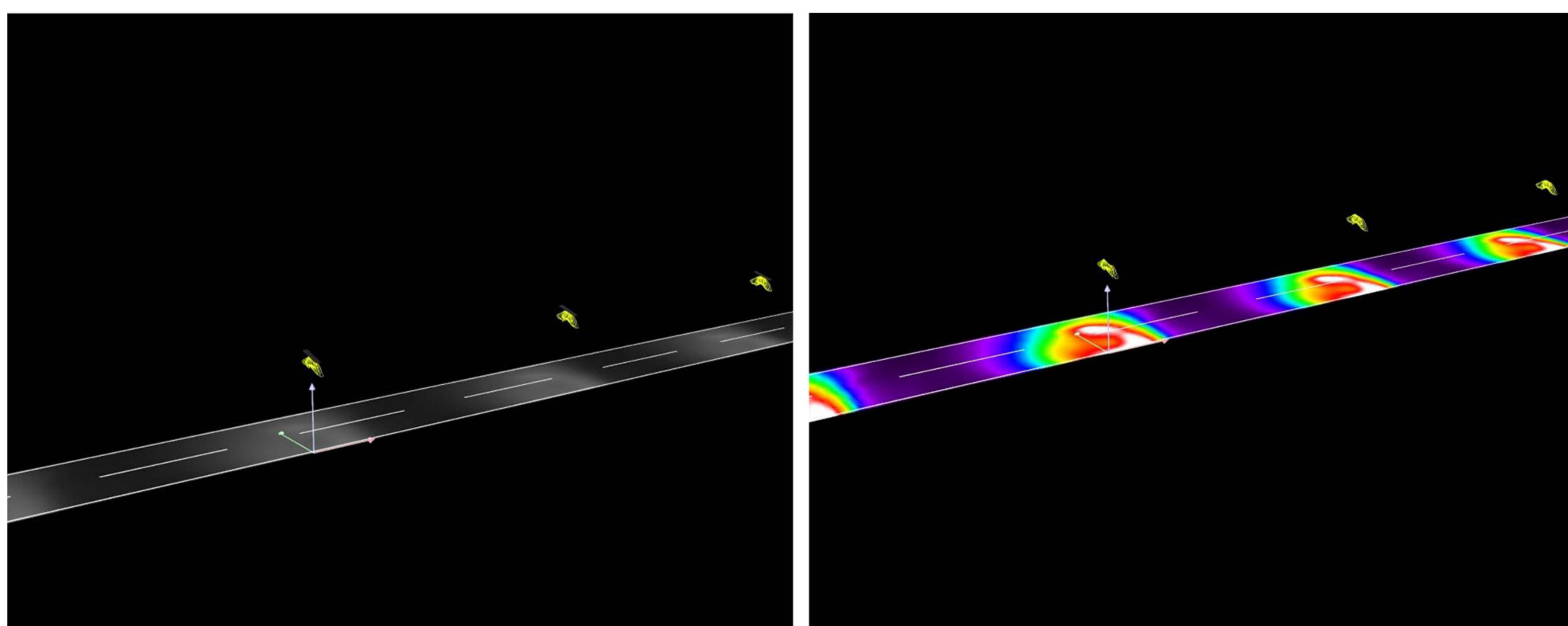
See our luminaire catalog for an image of the luminaire.

Luminaire classification according to CIE: 100
CIE flux code: 56 90 98 100 100

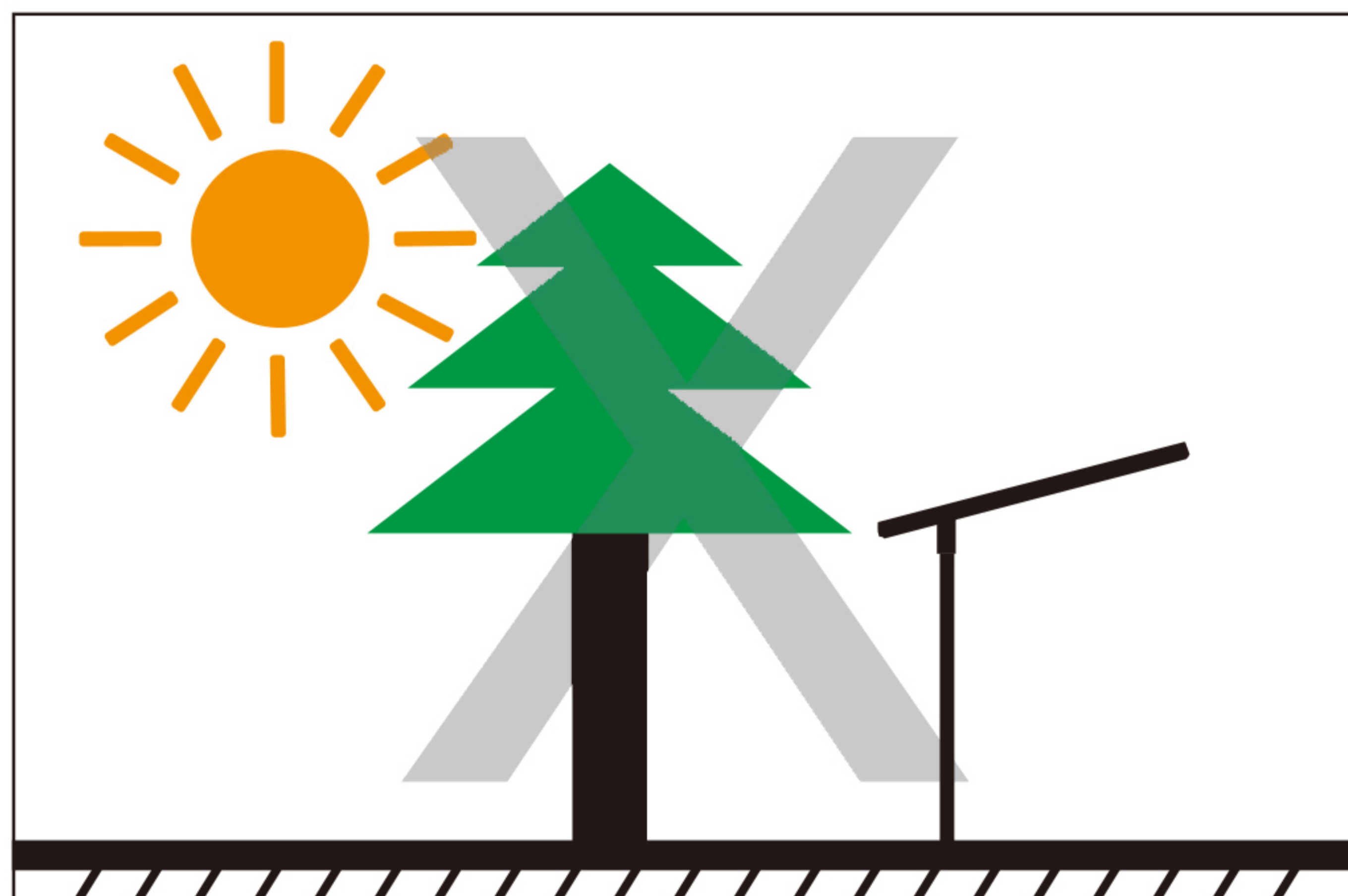
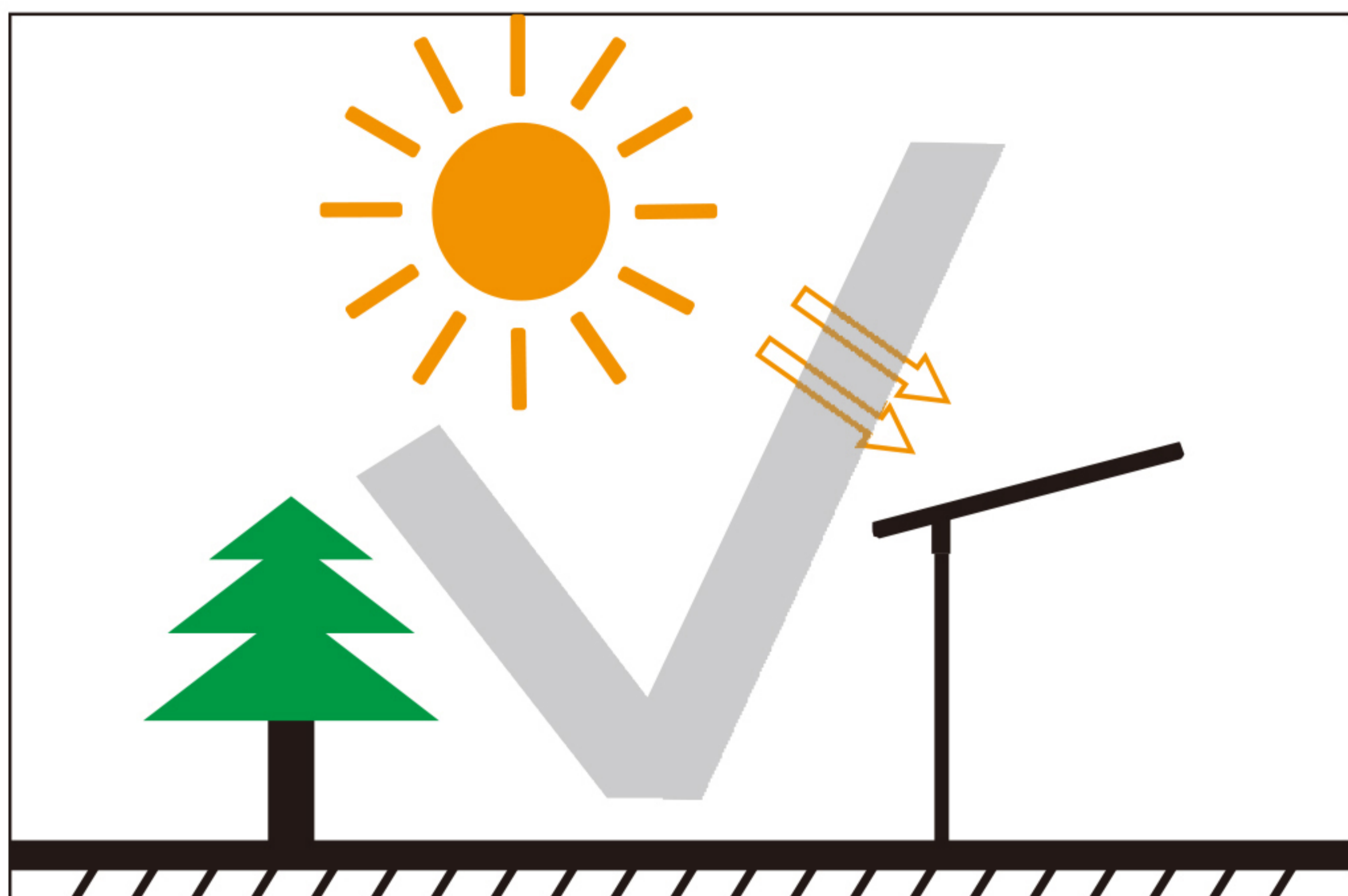


Due to missing symmetry properties, no UGR table can be displayed for this luminaire.

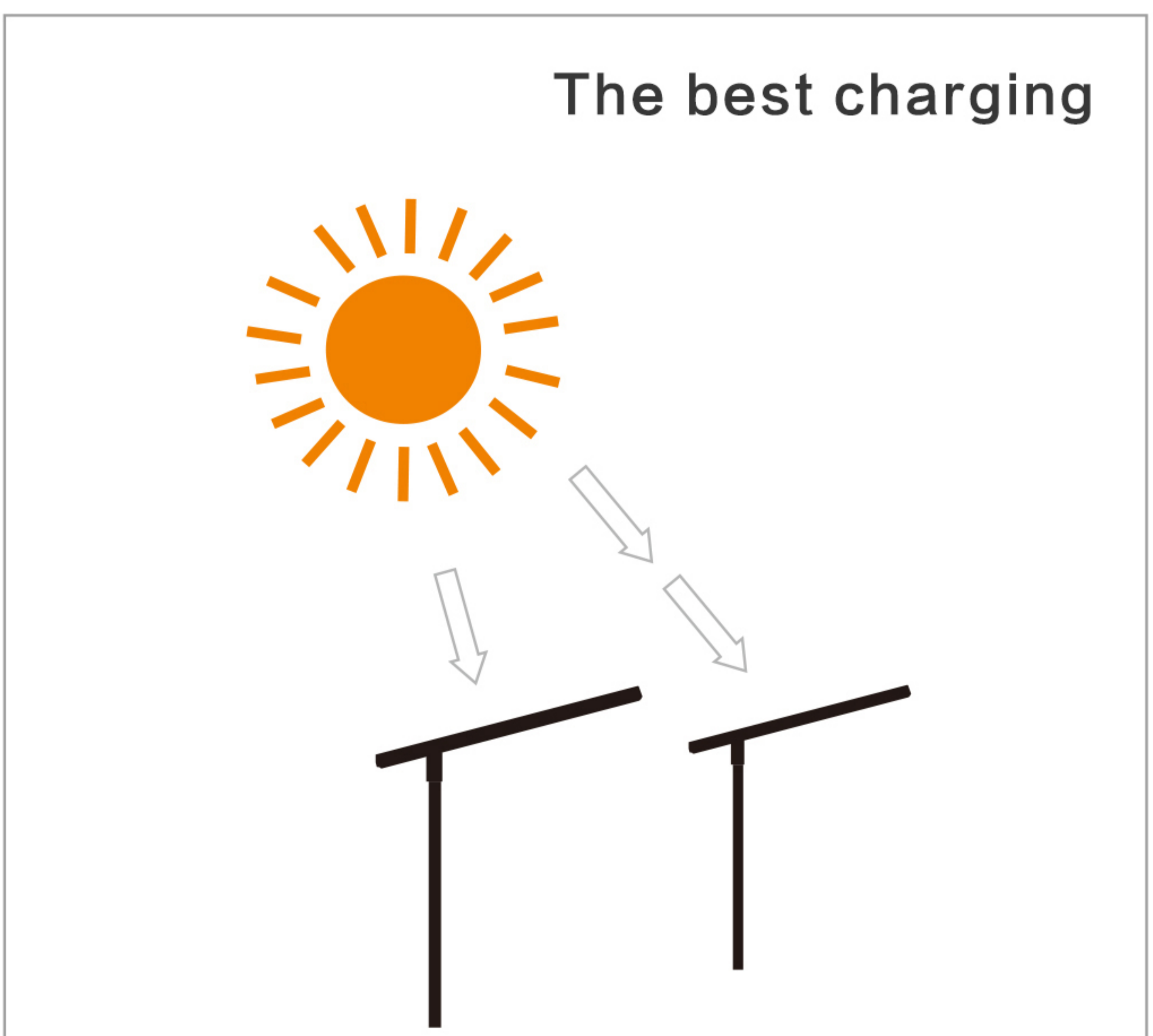
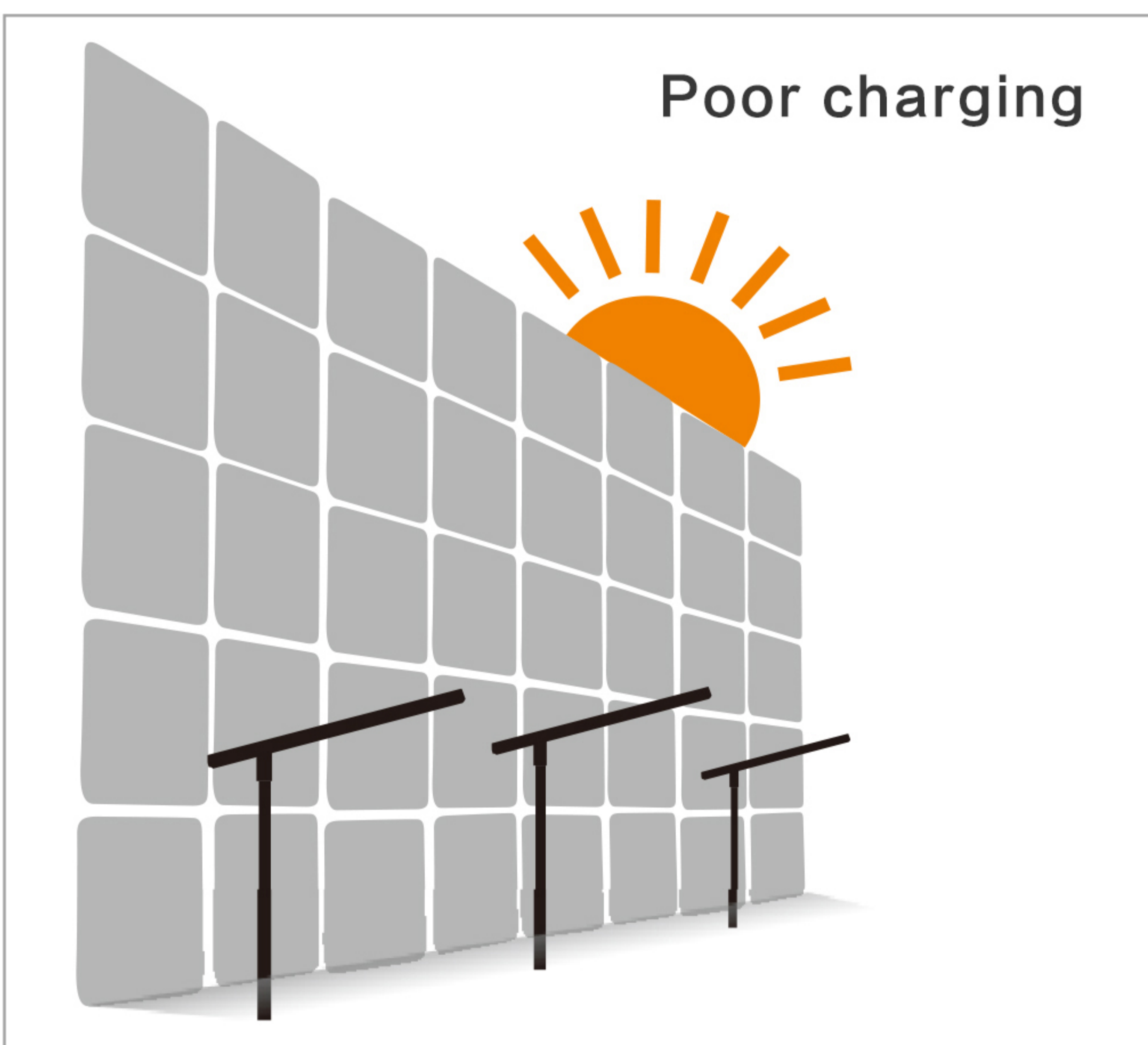
Road lighting simulation



Note 1



Note 2



When install the integrated solar led street, please choose a position with enough sunshine and fully exposure.
Pls note the panel must be fully exposed, without any shelter.