

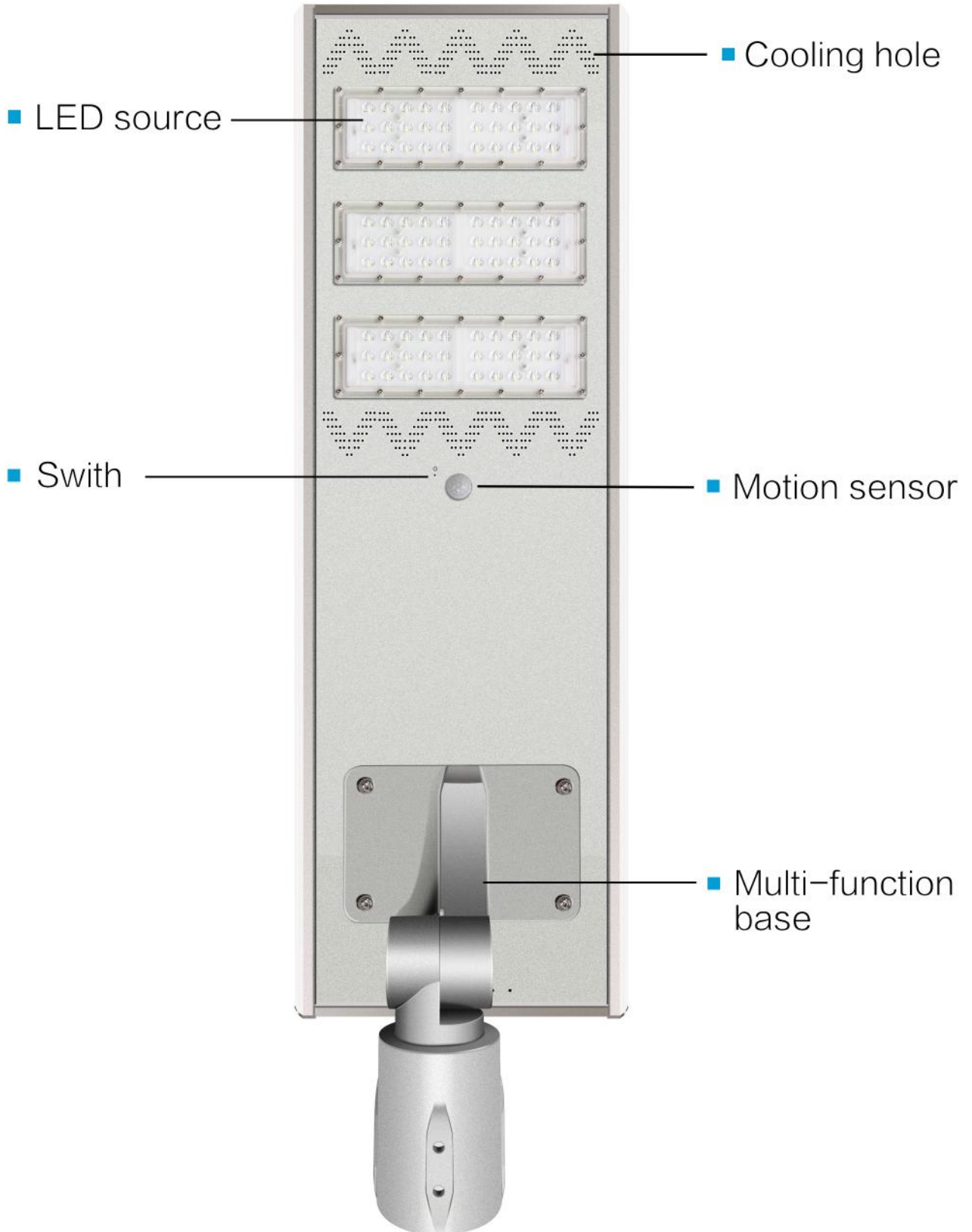


BK SERIES

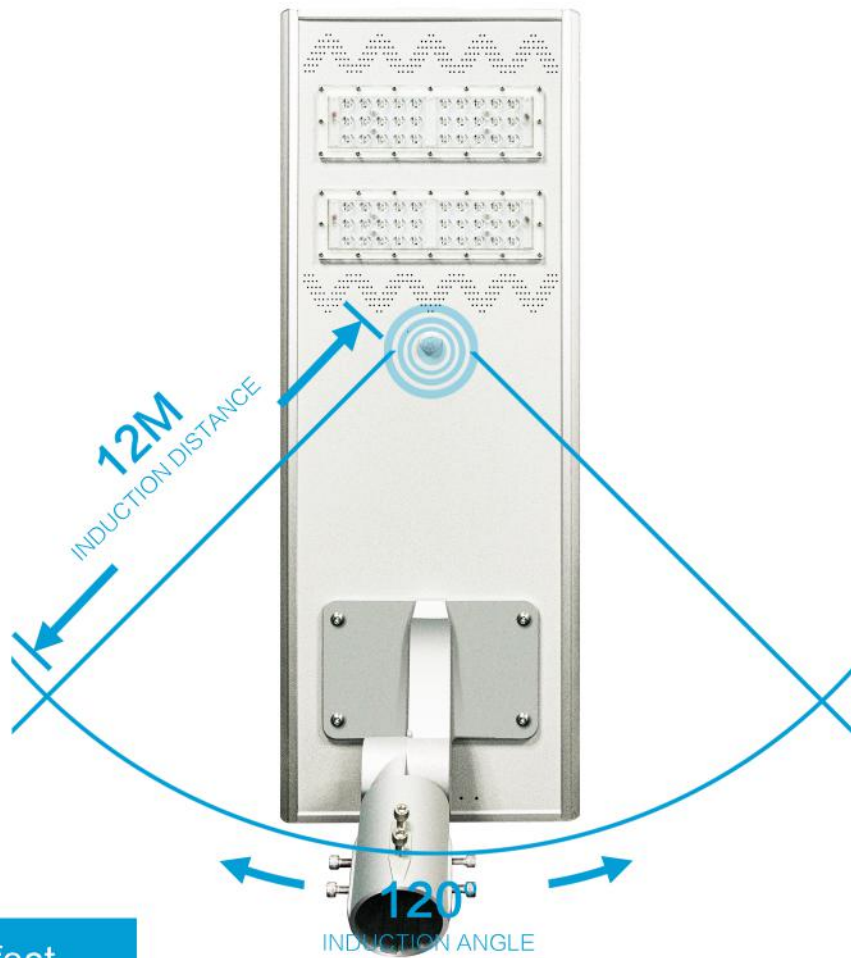
Specification



Product Details



Induction range



Induction effect



Product Feature



Change the working mode by a remote control as you need



Modular 3030 light source super high brightness



Multi-function base to support various installation environments



Three control modes to meet a variety of installation environments

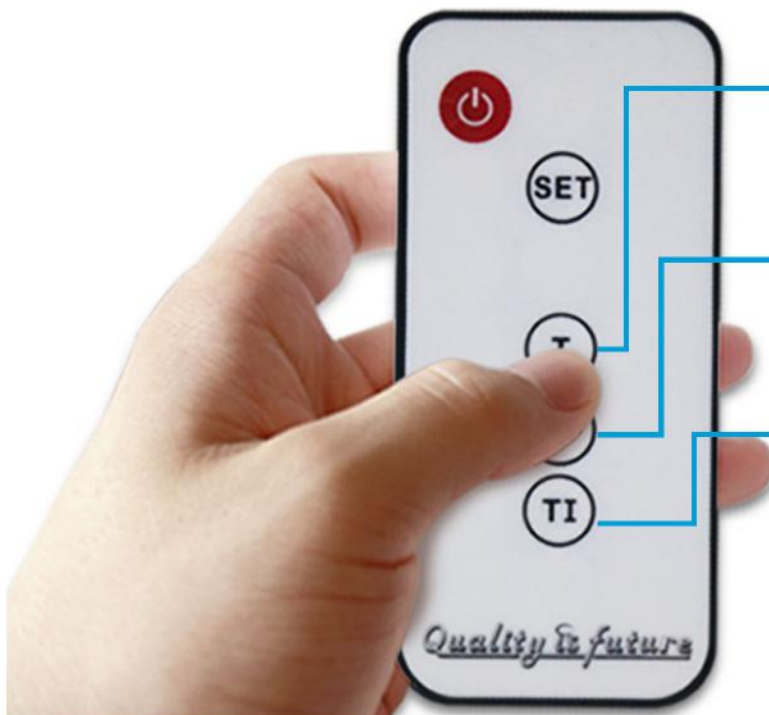


Imported polycrystalline solar silicon wafers

PRODUCT ADVANTAGES



Sensing distance
10 meters



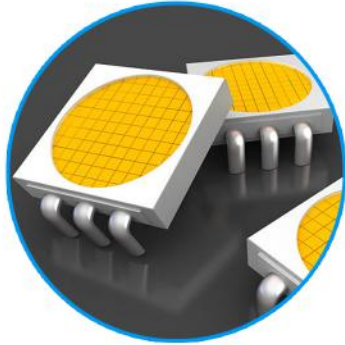
- **TIME CONTROL MODE:**
press SET button + T button, wait 3 seconds, then it enter time control mode
- **SENSOR CONTROL MODE:**
press SET button + I button, wait 3 seconds, then it enter sensor control mode
- **MIXED CONTROL MODE:**
press SET button + TI button, wait 3 seconds, then it enter mixed control mode

PRODUCT ADVANTAGES

- Easily set the working mode of solar street light;
- 10 meters infrared sensing range of remote control, suitable for most installation height
- Multiple working modes to deal with various complex environments
- According to the demand, the running time can be reasonably controlled, and it can last for a long time in the rainy days.

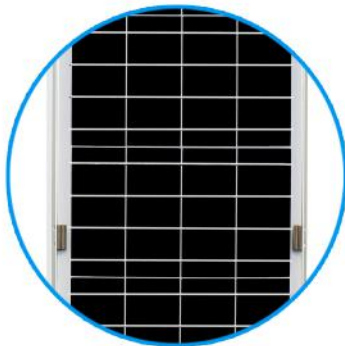
T—— (Time control mode) ; I——(Sensor control mode) ;
TI: (Mixed control mode, time control in the first 6 hours; sensor control in the last 6 years)

INTRODUCTION TO MATERIALS USEF



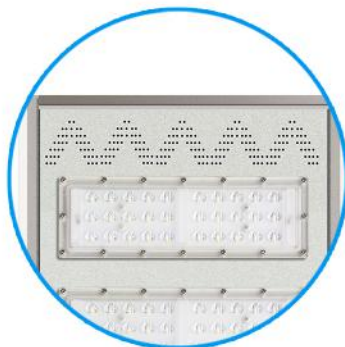
LED ENERGY-SAVING LIGHT SOURCE

Adopt imported high light bulb beads Ultra high photosynthetic efficiency Persistent lighting



THE SOLAR PANELS

Efficiently imported silicon high efficiency Special surface treatment



VENTILATION

Use diamond shaped heat sink hole. The appearance industry is full of sense, unique radioactive distribution, make the product more upscale atmosphere.

INTRODUCTION TO MATERIALS USEF



Integrated to all in one, easy installation and maintenance.



Multiple controlling mode, easy operation.



Imported lamp beads, long lifespan



Customizing battery box, waterproof, high and low temperature resistance

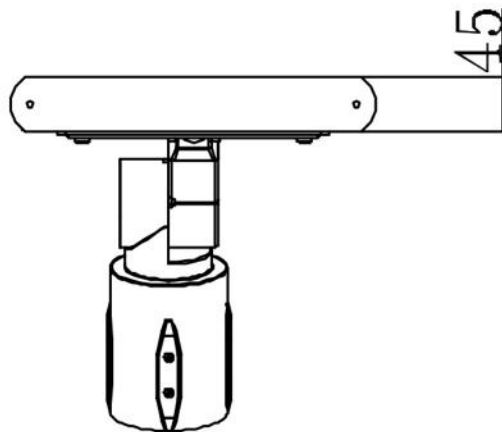
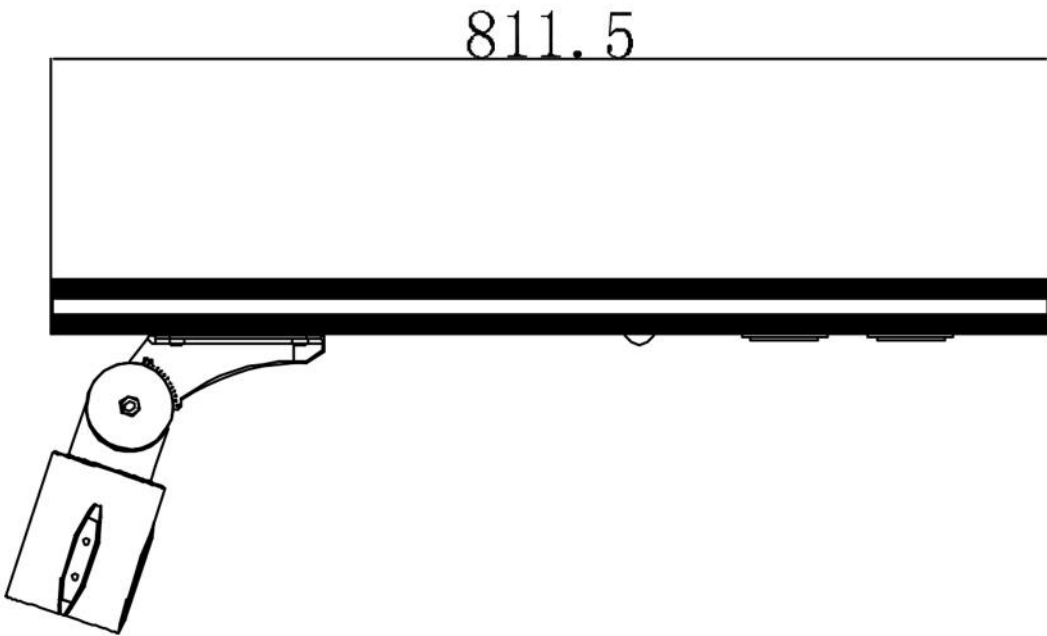
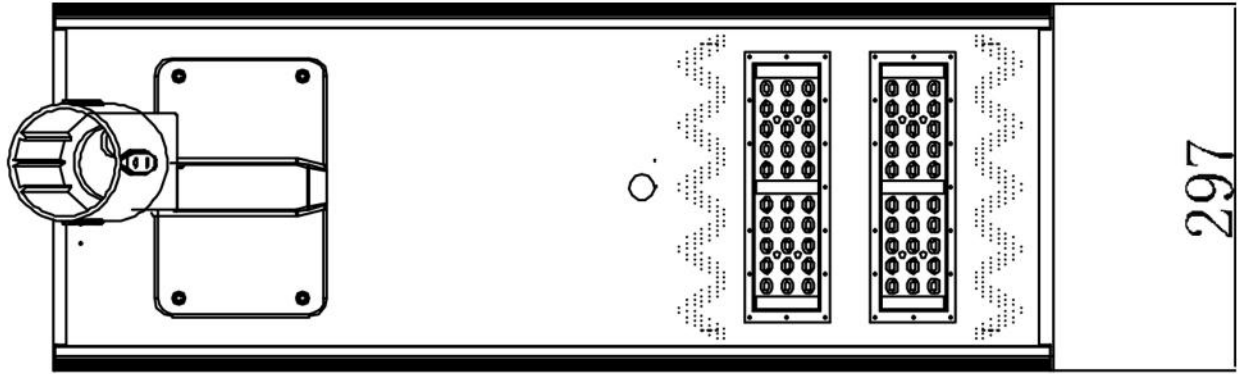


Imported solar panels, ultra high conversion rate



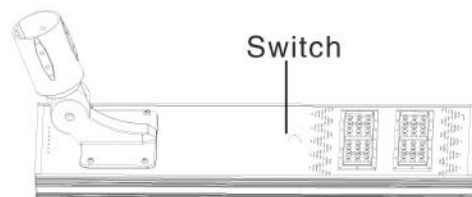
Multiple sensor modes, intelligent controlling lighting mode.

Product Size

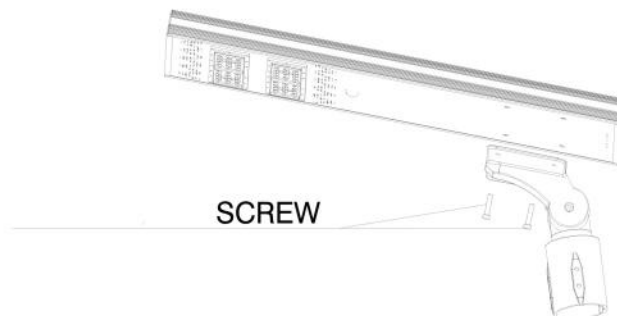


Installation Procedure

1. Choose the best position for lighting and lay out the pole. The diameter of the pole is 50~60 mm, and the wall thickness is greater than 2.0mm of Iron or stainless steel
2. Open the packaging and check if components are completed .
3. Before installation, use card pin to open the switch , when the light light up, the PIR lens has red indicator light, means battery works normal ; If the indicator twinkle, it means battery power is low and cannot be work normal ,need charge it .



4. Choose the best position for lighting and lay out the pole. The diameter of the pole is 60~100mm, and the wall thickness is greater than 2.0mm of Iron or stainless steel



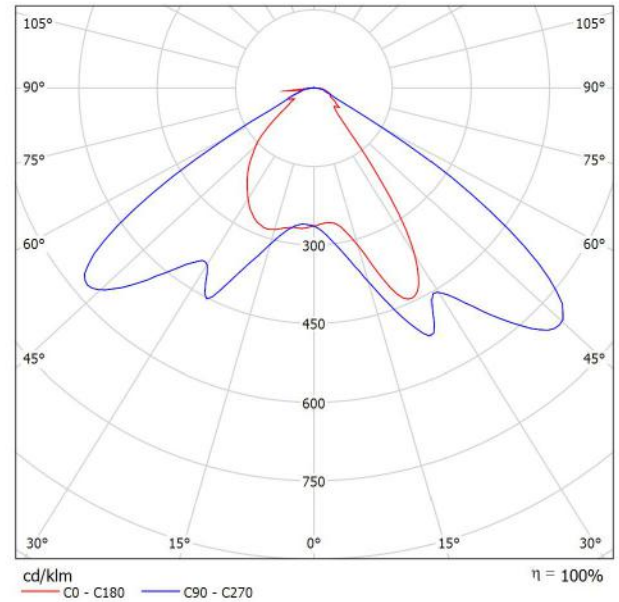
5. Put the assembled lamp body on the post, and then tighten the 6 screws on the multi-function base; the installation of integrated solar lamps is completed (as shown)



SPECTRA

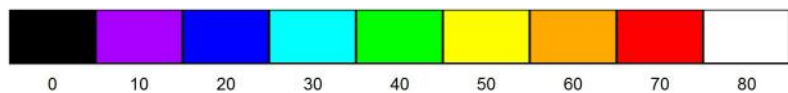
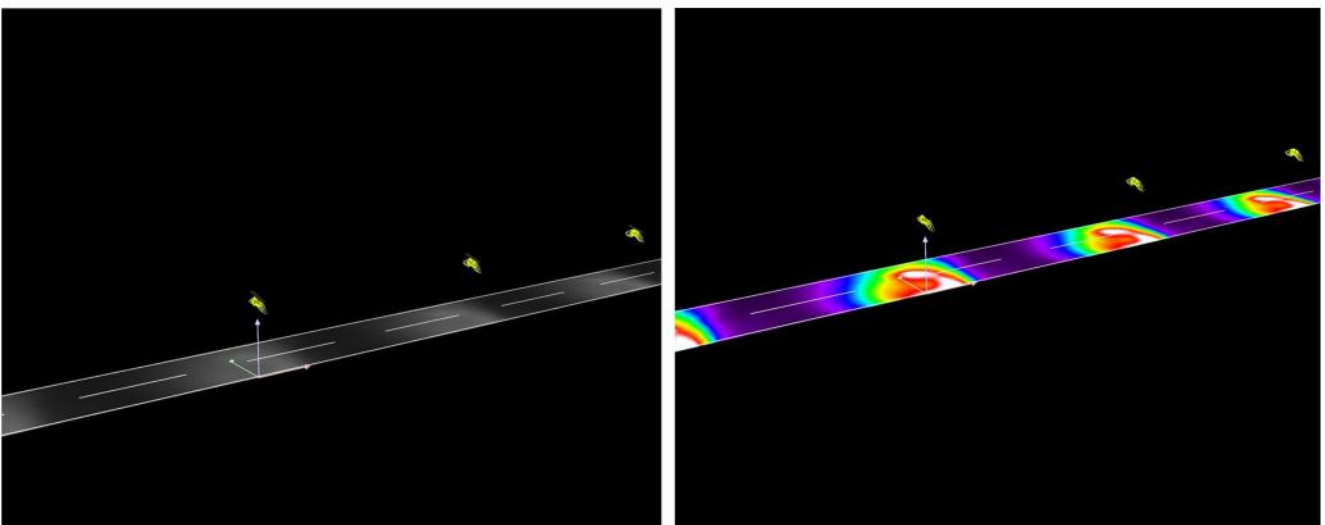
See our luminaire catalog for an image of the luminaire.

Luminaire classification according to CIE: 100
CIE flux code: 56 90 98 100 100

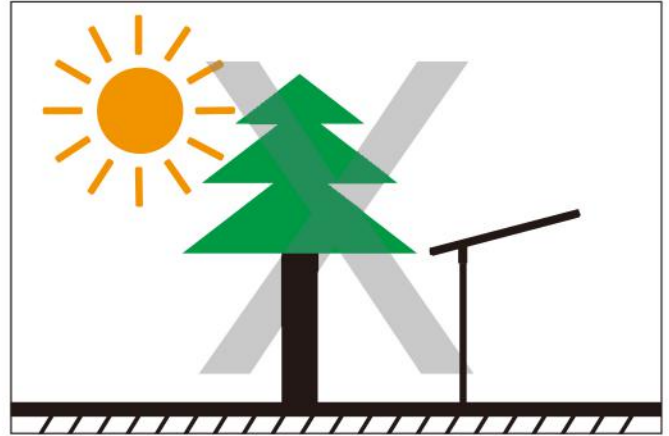
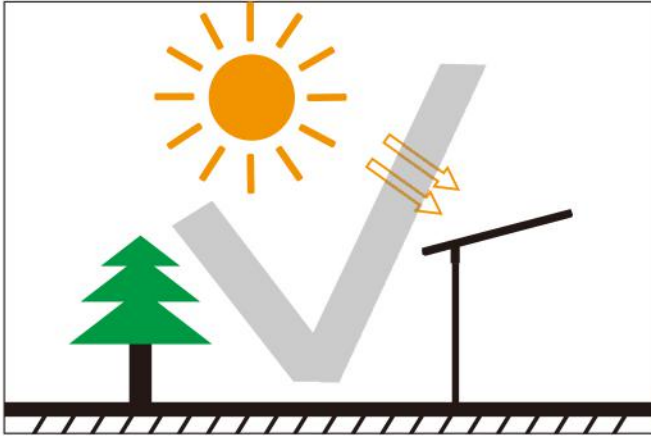


Due to missing symmetry properties, no UGR table can be displayed for this luminaire.

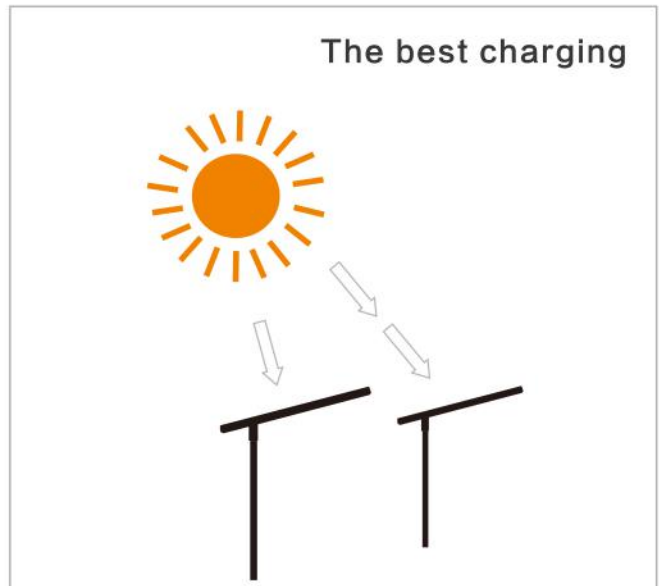
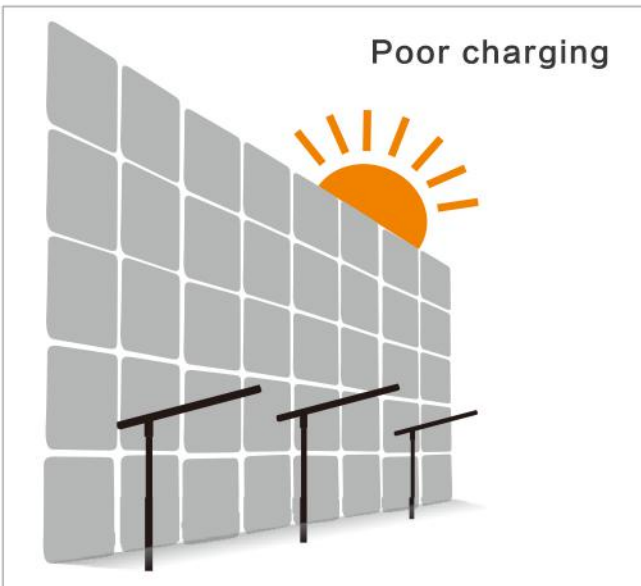
Road lighting simulation



Note 1



Note 2



When install the integrated solar led street, please choose a position with enough sunshine and fully exposure.
Pls note the panel must be fully exposed, without any shelter

Product case



Road



Mountain
Area



Rural



Street



Square



Park



School

